 American[®]

Corrosion Resistant Air Cylinders



 CR[®] Series

Standard Catalog
3/4 inch through
2 inch bore

American Cylinder Co., Inc.

TABLE OF CONTENTS

Table of Contents	Page 1	Universal Mount	Page 3
How to Order	Page 1	Double Acting Models	
Standard Stroke Lengths	Page 1	Mounting: Nose Mount	Page 4
Special Design Cylinders	Page 1	Universal Mount	Page 4
Standard Features and Benefits	Page 2	Mounting Accessories	
Single Acting Models		Dimensional Data	Page 5
Mounting: Nose Mount	Page 3	Warranty	Page 6

American's CR[®] air cylinders are designed to withstand exposure to a wide range of moisture, lubricants and certain solvents*. The major components of CR air cylinders are Delrin[®] **acetal resin, and stainless steel. CR air cylinders are available in 3/4", 1 1/16", 1 1/2" and 2" bore sizes.

*For detailed information, a Dupont Delrin Handbook is available. For direct answers regarding Delrin acetal resin properties, call Dupont's toll free number 800-441-7515.

**Reg. US Patent Office for DuPont's acetal resin.

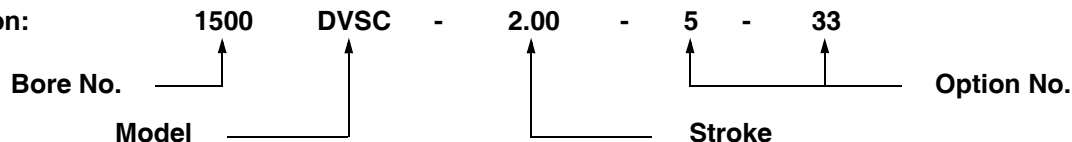
HOW TO ORDER:

Example: 1 1/2" Bore Double Acting Universal Mount Corrosion Resistant Cylinder
2" Stroke -Quad-X Wiper/Seal - Ports Rotated 90°

Model No.: 1500DVSC-2.00-5-33

Model No.

Composition:



Bore	No.	Model Description	Model	Standard Options	No.
3/4"	750	Single Acting Nose Mount	SNSC	Unmilled Threaded Rear Mtg. Stud	3
1 1/16"	1062	Single Acting Universal Mount	SVSC	Magnetic Field Piston	4
1 1/2"	1500	Double Acting Nose Mount	DNSC	Quad-X Wiper/Seal	5
2"	2000	Double Acting Universal Mount	DVSC	Magnalube [®] Lubrication	6
				No Rod Threads & Flats - Std. Rod Extension	9
				Fluoroelastomer Seals & Magnalube [®]	31*
				Ports Rotated 90° (counterclockwise)	33
				FDA Seals & Lubrication	35
				Quad-X Seal in Front Piston Groove	51

* The specification of Fluoroelastomer Seals on CR[®] cylinders is for chemical compatibility only, not high temperature service.

STANDARD STROKE LENGTHS - CR[®] Series

Models SNSC & SVSC - Page 3

Bore	Standard Stroke Lengths (in.)	Power Factor
3/4"	1/2, 1, 1 1/2, 2, 3, 4	.44
1 1/16"	1/2, 1, 1 1/2, 2, 3, 4	.89
1 1/2"	1/2, 1, 1 1/2, 2, 3, 4	1.77

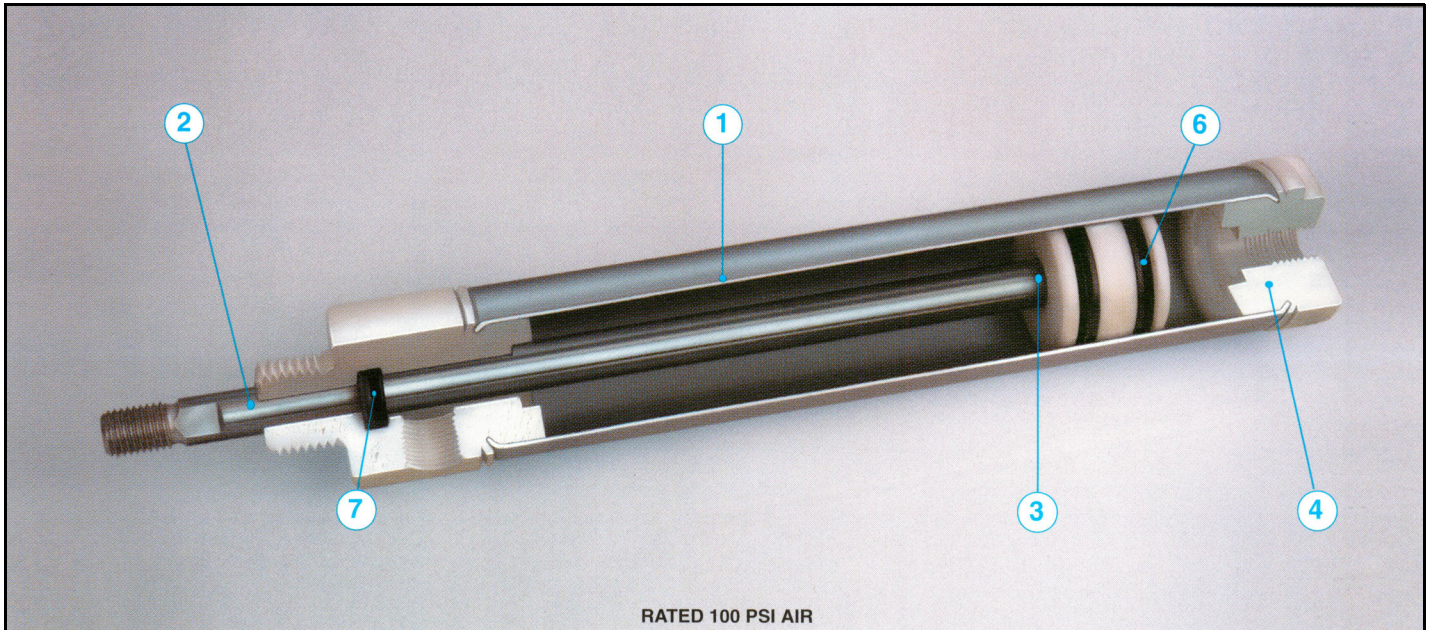
Models DNSC & DVSC - Page 4

Bore	Standard Stroke Lengths (in.)	Power Factor	
		Push	Pull
3/4"	1/2, 1, 1 1/2, 2, 3, 4, 5, 6	.44	.39
1 1/16"	1/2, 1, 1 1/2, 2, 3, 4, 5, 6	.89	.81
1 1/2"	1/2, 1, 1 1/2, 2, 3, 4, 5, 6	1.77	1.62
2"	1/2, 1, 1 1/2, 2, 3, 4, 5, 6, 8, 10, 12	3.14	2.83

SPECIAL DESIGN CYLINDERS

American Cylinder engineers and our Specials Department can design and manufacture special cylinders to meet the needs of your unusual or difficult applications. Contact your American Cylinder Distributor or the factory direct with your special requirements.

STANDARD FEATURES AND BENEFITS



① **Stainless Steel Cylinder Body:** Type 304 Stainless Steel manufactured to special mill specifications and tolerances to insure a long cylinder life.

② **Stainless Steel Rod:** Ground & Polished Type 303 Stainless Steel rods are standard. All rods have wrench flats and stress relief grooves.

③ **Piston Rod Assembly:** Piston rods are threaded, anaerobically sealed, and machine staked into the piston for triple protection.

④ **End Caps (Rod Guide & Rear Head):** Made of Delrin* acetal resin developed by Dupont. A crystalline thermoplastic co-polymer made by the polymerization of formaldehyde.

⑤ **Springs:** Springs for spring action cylinders are made from stainless steel and designed for millions of cycles. Special spring forces are available.

⑥ **Buna-N U-Cup Rod & Piston Seals:** Pressure energized lip type seals provide low breakaway friction and maximize cylinder life expectancy. Standard Buna-N seals are recommended for operating temperatures of -20° F (-25°C) to 200° F (95°C). FDA approved seals are available as a standard Option (-35).

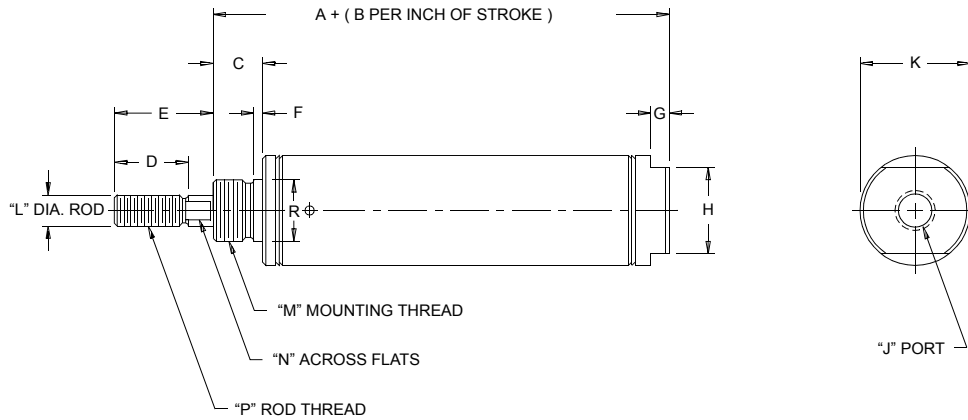
⑦ **Rod Seal:** Precision machined rod seal groove provides a smooth sealing surface while positively retaining the seal without requiring additional components and relying on press fit containment.

⑧ **Prelubricated:** All cylinders are factory lubricated with a special high endurance oil mixture. FDA approved lubrication is standard with the FDA seal Option (-35).

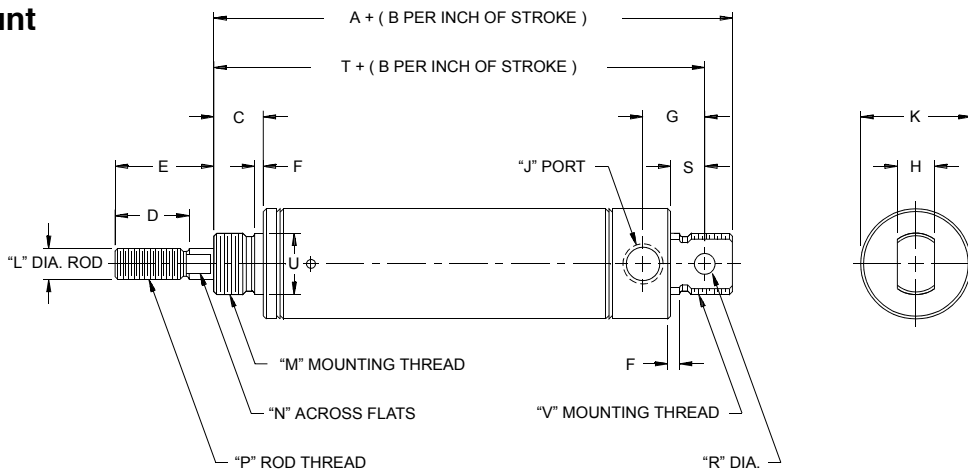
⑨ **Pre-Tested:** The quality of each cylinder is assured by testing each unit for leakage prior to shipment. Quality control provides added value to American cylinders.

*Reg. US Pat. Office for DuPont's acetal resin.

Nose Mount



Universal Mount



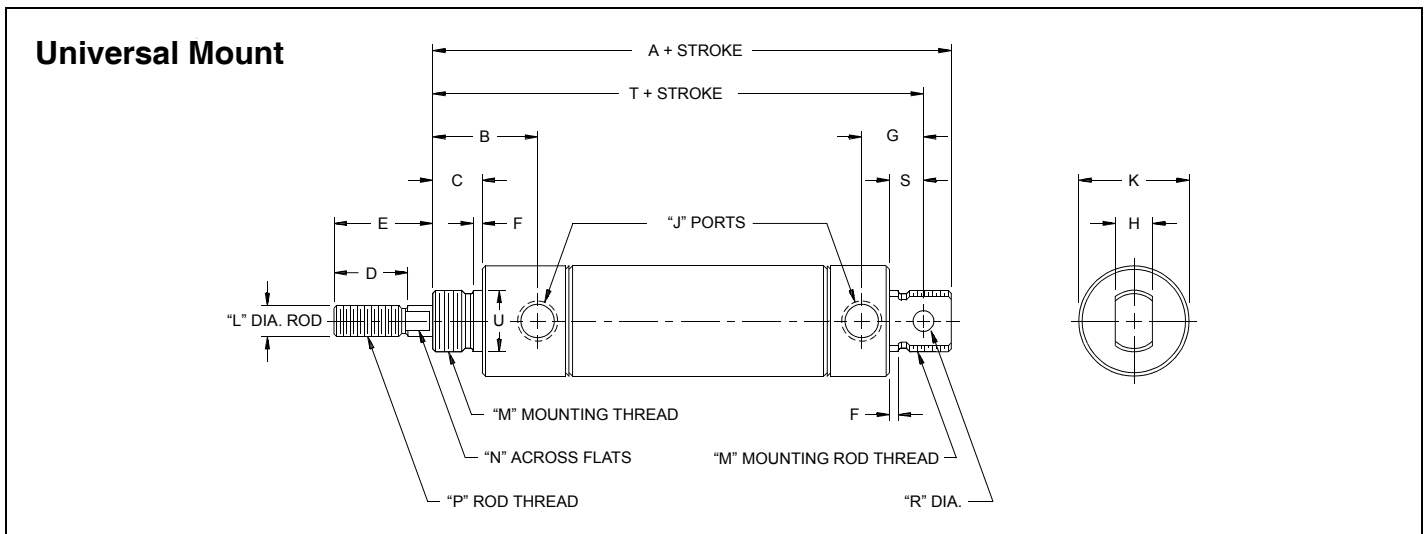
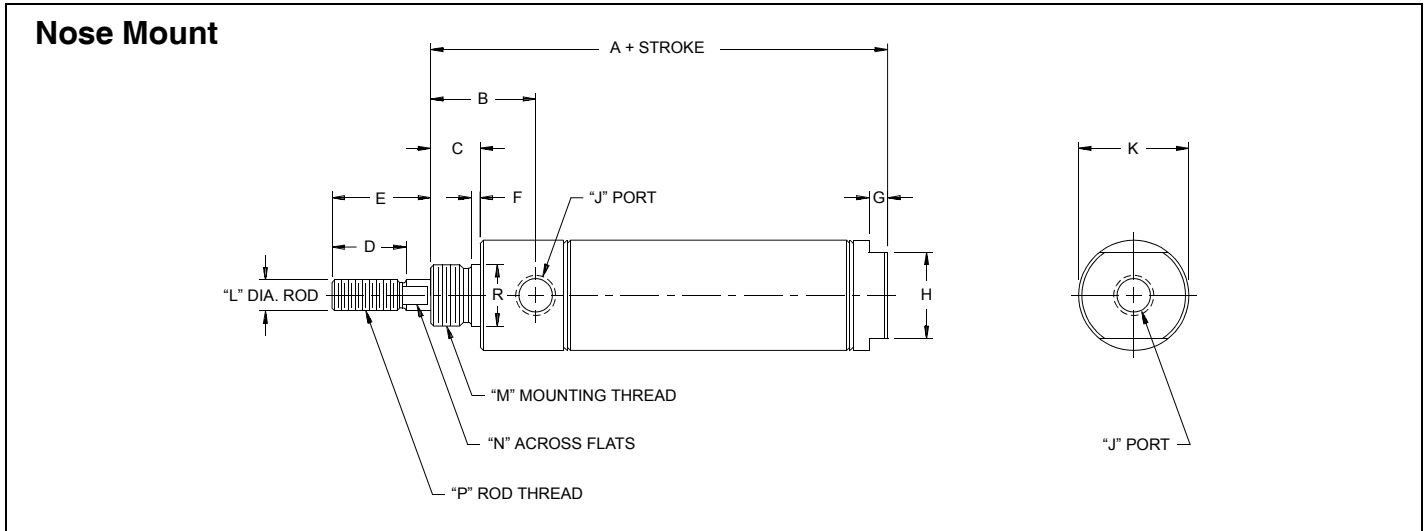
CR[®] Series - Model SNSC - Single Acting Nose Mount

Bore	Dimension																Spring Forces		Mounting Accessories	
	A	B	C	D	E	F	G	H	J	K	L	M	N	P	R*	Rod Ret.	Rod Ext.	Foot Bkt.	Mtg. Nut	
3/4"	1.50	1.68	.43	.50	0.50	.05	.18	.62	1/8 NPT	0.87	.25	1/2-20	.21	1/4-28	0.50	3	6	MS21SSMS25SS		
1 1/16"	1.93	1.56	.50	.50	0.50	.05	.18	.87	1/8 NPT	1.18	.31	5/8-18	.25	5/16-24	0.62	3	6	MS21	MS25	
1 1/2"	2.18	1.68	.62	.75	1.00	.09	.25	.87	1/8 NPT	1.62	.43	1-14	.37	7/16-20	1.00	6	12	MS61	MS45	

CR[®] Series - Model SVSC - Single Acting Universal Mount

Bore	Dimension																Mounting Accessories					
	A	B	C	D	E	F	G	H	J	K	L	M	N	P	R	S	T	U*	V	Foot Bkt.	Pivot Bkt.	Rod Clevis
3/4"	2.56	1.68	.43	.50	0.50	.05	.62	.37	1/8 NPT	0.87	.25	1/2-20	.21	1/4-28	.25	.34	2.28	0.62	5/8-18	MS21SS	MS23SP	MS24S
1 1/16"	3.25	1.56	.50	.50	0.50	.05	.62	.37	1/8 NPT	1.12	.31	5/8-18	.25	5/16-24	.25	.34	2.96	0.62	5/8-18	MS21	MS23SP	MS24
1 1/2"	3.68	1.68	.62	.75	1.00	.09	.81	.62	1/8 NPT	1.56	.43	1-14	.37	7/16-20	.37	.50	3.31	1.00	1-14	MS61	MS63SP	MS64S

DOUBLE ACTING: Nose Mount, Universal Mount



CR[®] Series - Model DNSC - Double Acting Nose Mount

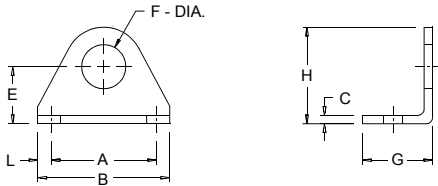
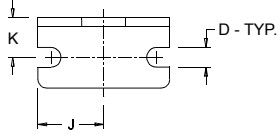
Bore	Dimension															Mounting Accessories	
	A	B	C	D	E	F	G	H	J	K	L	M	N	P	R*	Foot Bkt.	Mtg. Nut
3/4"	3.12	0.96	.50	.50	0.50	.05	.18	.62	1/8 NPT	0.87	.25	5/8-18	.21	1/4-28	0.62	MS21	MS25
1 1/16"	3.25	1.03	.50	.50	0.50	.05	.18	.87	1/8 NPT	1.18	.31	5/8-18	.25	5/16-24	0.62	MS21	MS25
1 1/2"	3.31	1.12	.62	.75	1.00	.09	.18	.87	1/8 NPT	1.62	.43	1-14	.37	7/16-20	1.00	MS61	MS65
2"	4.31	1.50	.81	.87	1.25	.10	.25	1.25	1/4 NPT	2.12	.62	1 1/4-12	.56	1/2-20	1.25	MS81S	MS85

CR[®] Series - Model DVSC - Double Acting Universal Mount

Bore	Dimension															Mounting Accessories					
	A	B	C	D	E	F	G	H	J	K	L	M	N	P	R	S	T	U*	Foot Bkt.	Pivot Bkt.	Rod Clevis
3/4"	4.09	0.96	.50	.50	0.50	.05	.62	.37	1/8 NPT	0.87	.25	5/8-18	.21	1/4-28	.25	.34	3.81	0.62	MS21	MS23SP	MS24S
1 1/16"	4.12	1.03	.50	.50	0.50	.05	.62	.37	1/8 NPT	1.18	.31	5/8-18	.25	5/16-24	.25	.34	3.84	0.62	MS21	MS23SP	MS24
1 1/2"	4.50	1.12	.62	.75	1.00	.09	.81	.62	1/8 NPT	1.62	.43	1-14	.37	7/16-20	.37	.50	4.12	1.00	MS61	MS63SP	MS64S
2"	5.68	1.50	.81	.87	1.25	.10	.93	.75	1/4 NPT	2.12	.62	1 1/4-12	.56	1/2-20	.37	.56	5.25	1.25	MS81S	MS93SP	MS94

MOUNTING ACCESSORIES: Dimensional Data

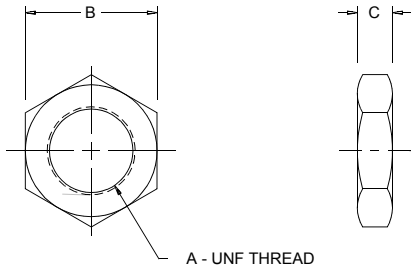
Foot Bracket



Bore	Foot Bkt. No.	Dimension										
		A	B	C	D	E	F	G	H	J	K	L
3/4" S.A.	MS21SS	1.25	1.62	.12	.18	.68	.50	.75	1.09	.81	.43	.18
3/4"	MS21	1.50	1.87	.12	.28	.81	.62	1.00	1.37	.93	.56	.18
1 1/16"	MS21	1.50	1.87	.12	.28	.81	.62	1.00	1.37	.93	.56	.18
1 1/2"	MS61	1.87	2.37	.12	.28	1.18	1.00	1.37	2.06	1.18	.78	.25
2"	MS81S	2.25	3.12	.25	.34	1.50	1.37	1.62	2.56	1.56	1.00	.43

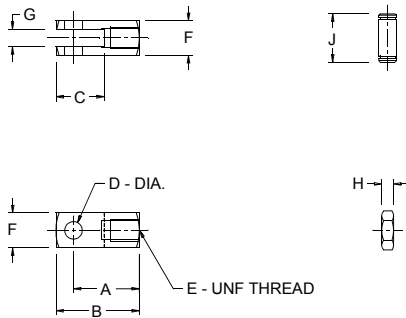
Note: One mounting nut is provided with each foot bracket ordered.

Mounting Nut



Bore	Mtg. Nut No.	Dimension		
		A	B	C
3/4" S.A.	MS25SS	1/2-20	.74	.31
3/4"	MS25	5/8-18	.93	.37
1 1/16"	MS25	5/8-18	.93	.37
1 1/2"	MS65	1-14	1.50	.54
2"	MS85	1 1/4-12	1.87	.50

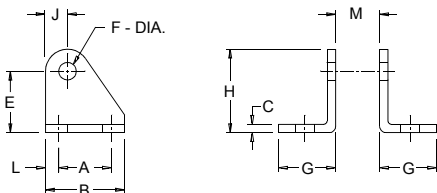
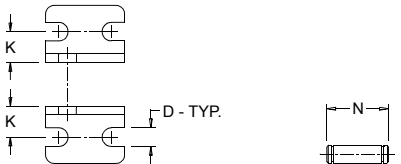
Rod Clevis



Bore	Rod Clevis No.	Dimension								
		A	B	C	D	E	F	G	H	J
3/4"	MS24S	0.93	1.18	.68	.25	1/4-28	.50	.25	.15	0.68
1 1/16"	MS24	0.93	1.18	.68	.25	5/16-24	.50	.25	.18	0.68
1 1/2"	MS64S	1.31	1.68	.93	.37	7/16-20	.75	.37	.25	1.01
2"	MS94	1.31	1.68	.93	.37	1/2-20	.75	.37	.37	1.01

Note: Rod nut, pin and E-rings are provided with each rod clevis ordered.

Pivot Bracket



Bore	Pivot Bkt. No.	Dimension												
		A	B	C	D	E	F	G	H	J	K	L	M	N
3/4"	MS23SP	.75	1.12	.12	.26	.87	.25	.81	1.18	.31	.43	.18	.37	0.87
1 1/16"	MS23SP	.75	1.12	.12	.26	.87	.25	.81	1.18	.31	.43	.18	.37	0.87
1 1/2"	MS63SP	1.00	1.50	.12	.26	1.37	.37	1.00	1.75	.37	.62	.25	.62	1.18
2"	MS93	1.00	1.50	.12	.26	1.37	.37	1.00	1.75	.37	.62	.25	.75	1.31

Note: Pivot pin and E-rings are provided with each bracket ordered.



American Cylinder Co., Inc.
Peotone, Illinois 60468-9116
708/258-3935
FAX 708/258-3980

ON THE INTERNET

<http://www.americancylinder.com>

<http://www.ameristore.biz>

E-MAIL: amcyl@americancylinder.com

Warranty

American Cylinder Co., Inc. warrants its products to be free from defects in material and workmanship under normal wear and service for a period of 3 years from date of shipment of the order. American Cylinder Company shall have no liability under this warranty if: 1) The product is used other than in accordance with specifications. 2) The product is subjected to abuse, negligence, accident, misapplication, or unintended use. 3) The product is manufactured to buyer's specifications.

Manufacturer's liability shall be limited to allowance of credit or replacement of defective product. American Cylinder Company shall not be liable or responsible for injuries or damages to persons or property arising out of the use or operation of American Cylinder products.

THIS WARRANTY IS EXPRESSLY IN LIEU OF ALL OTHER WARRANTIES, EXPRESSED OR IMPLIED, INCLUDING ANY IMPLIED WARRANTY OF MERCHANTABILITY OR FITNESS FOR A PARTICULAR PURPOSE, LIABILITY FOR LOST PROFIT OR FOR INDIRECT, INCIDENTAL, CONSEQUENTIAL OR COMMERCIAL LOSSES, AND OF ALL OTHER OBLIGATIONS OR LIABILITIES.

These conditions subject to change without notice.